

वैज्ञानिक तथा औद्योगिक अनुसंधान परिषद्
Council of Scientific & Industrial Research
राष्ट्रीय वांतरिक्ष प्रयोगशालाएं
National Aerospace Laboratories



CSIR - NAL Estd. 1959
ISO 9001 : 2015
Certified Organization

INVITATION FOR BIDS/NIT

Tender No. NAL/PUR/STTD/492/19-Y

Dated: 16-Jan-2020

CSIR- National Aerospace Laboratories (NAL), Bengaluru, India is one of the premier laboratories under Council of Scientific and Industrial Research (CSIR), an autonomous body under Department of Scientific and Industrial Research, Government of India, New Delhi. CSIR-NAL is a Science and Knowledge based Research, Development and Consulting Organization. It is internationally known for its excellence in Scientific Research in Aerospace Engineering.

The Director, CSIR-NAL invites online quotation for procurement of the following item(s) for day to day research work.

Sl.No.	Description of Items	Unit	Qty
1	Supply and Installation of Linear Modular Workstation	Set	7
2	Supply and Installation of L- Shaped Modular Workstation	Set	10
	Please refer Annexure for detailed specification.		

Single / Double Bid	Single
Bid Security (EMD) (in INR)	Bid Security Declaration should be enclosed with quotation.
Performance Security	10% of the purchase order value

01. Tender Documents may be downloaded from Central Public Procurement Portal <https://www.etenders.gov.in>. Aspiring Bidders who have not enrolled/ registered in e- procurement should enroll/ register before participating through the website <https://www.etenders.gov.in>. The portal enrolment is free of cost. Bidders are advised to go through instructions provided at 'Instructions for online Bid Submission'.
02. Tenderers can access tender documents on the website (For searching in the NIC site <https://www.etenders.gov.in>, kindly go to Tender Search option, select tender type and select ' Council of Scientific and Industrial Research' in organization tab and select NAL-Bengaluru-CSIR in department type Thereafter, Click on "Search" button to view all CSIR-NAL, Bengaluru tenders). Select the appropriate tender and fill them with all relevant information and submit the completed tender document online on the website <https://www.etenders.gov.in> as per the schedule given in the next page.
03. Either the Indian Agent on behalf of the Foreign principal or the Foreign principal can bid directly in a tender but not both. However, the offer of the Indian Agent should also accompany the authorization letter from their principal. To maintain sanctity of tendering system, one Indian Agent cannot represent two different Foreign principals in one tender.
04. Unsolicited / conditional / unsigned tenders (Quotations) shall not be considered. Quotations received after the due date and time shall be summarily rejected.
05. The Bidder shall comply the terms and conditions of the tender, failing which, the offer shall be liable for rejection.
06. The Director, CSIR- National Aerospace Laboratories., Bengaluru reserves the right to accept any or all the tenders either in part or in full or to split the order without assigning any reasons there for.


Raman Kumar
Section Officer (S&P)

पी बी सं. 1779, एचएएल एयरपोर्ट रोड , कोडिहल्ली, बेंगलुरु - 560 017, भारत,
P B No 1779, HAL Airport Road, Kodihalli, Bengaluru - 560 017, INDIA
फोन / Phone : (का./ Off) : +91 - 80 - 2508 6040 - 45, फैक्स / FAX : +91-80-2526 9611



<http://www.nal.res.in>



purchasek@nal.res.in



SCHEDULE CUM CRITICAL DATE SHEET

1	Name of Organization	CSIR-National Aerospace Laboratories, Bengaluru	
2	Tender Reference No	NAL/PUR/STTD/492/19-Y dated: 16-Jan-2020	
3	Tender Type (Open/Limited/EOI/Auction/Single)	Open	
4	Type/Form of Contract (Work / Supply / Auction / Service / Buy / Empanelment / Sell)	Supply	
5	No of Covers (One/Two/Three/Four)	One	
6	Tender Category (Services/Good/Works)	Goods	
7	Allow Resubmission (Only in online mode within scheduled period)	Yes	
8	Allow Withdrawal (Only in online mode within scheduled period)	Yes	
9	Allow Offline Submission	No	
10	Work Item Title	Supply and Installation of Linear Modular Workstation & L- Shaped Modular Workstation	
11	Work Description	Supply and Installation of Linear Modular Workstation & L- Shaped Modular Workstation	
12	Delivery Schedule	60 days from the date of purchase order	
13	Product Category (Civil Works / Electrical Works / Fleet Management / Computer Systems)	R & D Equipment	
14	Is Multi Currency Allowed	Yes	
15	a) Tender Publishing Date -	17-Jan-2020	1800 Hrs
	b) Document Download Start Date-	17-Jan-2020	1800 Hrs
	c) Bid Submission Start Date-	17-Jan-2020	1800 Hrs
	d) Bid Submission End Date-	06-Feb-2020	1000 Hrs
	e) Bid Opening Date-	07-Feb-2020	1100 Hrs
16	Bid Validity Days	90 days	
17	Address for communication	Stores and Purchase Officer CSIR-National Aerospace Laboratories, HAL Airport Road, Kodihalli, Bengaluru - 560017	
18	Inviting Officer	Director, CSIR-NAL	
19	Contact No	25086040, 25086041	
20	E-mail Address	purchasek@nal.res.in	
21	Detailed specification of item	Refer Invitation for bids / NIT	
22	Tender Terms & Conditions & Instruction for online bid submission	The prospective bidders are requested to refer to the Standard Tender Document available on NAL Internet (www.nal.res.in) under the icon Tender-Purchase before formulating and submitting their bids	

ANNEXURE-A

Technical Specifications for the Modular Workstations

A) Specification for Modular Workstations

- 1) **ITEM '1':-** Supply and Installation of LINEAR MODULAR WORKSTATION (4-Seater Configuration = 1 Set) of size 600 mm (W) X 1200 mm (D) x 1240 mm (H) per Seat. Refer Fig. 1 and Fig. 2. Quantity: 7 Sets
- 2) **ITEM '2':-** Supply and Installation of L-Shaped MODULAR WORKSTATION (2 Units Configuration = 1 Set) of Size 600 mm (W) X 1500 mm (D) x 1240 mm (H) per Unit. Refer Figs. 3, 4 and 5. Quantity: 10 Sets

A.1) Main frame

- Modular tile based system shall consist of 1.5mm CRCA grade metal structure of frame of widths in combination of 600 mm width and suitable height and necessary trimming.
- The partition panels shall be tile based & shall have overall minimum thickness of 60 mm.
- The frame work shall be made of Knockdown metal frame comprising of vertical sections made from minimum 1.5 mm CRCA, MS grade 'D' as per IS: 513-1994 formed into channels of minimum size 40mm X 50mm duly powder coated (coating thickness 50 to 60 micron).
- These vertical channels shall have suitable and sturdy arrangement to accept tile cladding.
- All exposed vertical edges of partition panels shall be finished with contoured edged powder coated Aluminum section of minimum 1mm thickness as per grade He-9-63400 as per IS: 733-1983 (or Latest if any).
- Connectors shall be of die cast Aluminum with a waterfall edge for a continuous transition from horizontal to vertical trim.
- Panel should have cut outs of required sizes for installing electrical standard switch boards and LAN Ports.
- There shall be separate slots for passage of data and electrical wires.
- End cap, Inline Cap, Universal Caps, if any shall be of Aluminium extrusions.
- Top & Vertical trim, if any shall be made up of Aluminium extrusions.
- 2 way / 3 way post shall be made up of minimum 1.5 mm CRCA material.
- Connectors – 2 way / 3 way / 4 way, shall be of Aluminium Die Cast.
- The frames shall be clad with a combination of metal embossed tiles at below the work space level and fabric magnetic tiles above the workspace level.
- Provision of metal fascia at the skirting level shall be provided for the wire management.

A.2) Tile Construction

- Minimum one number of fabric magnetic tile /white board tile/ plain metal tile per person in the tiles above the work surface level shall be provided.

- Fabric upholstered metal tiles shall be 0.6 mm (minimum) thick M.S. CRCA Grade D as per IS Standard
- Powder coated plain metal tiles shall be 0.6mm (minimum) thick M.S, CRCA Grade D as per IS Standards.
- Fabric Tiles base shall be made of minimum 4mm thick MDF (Medium density fibre) Material or particle board of minimum 9mm thick, fabric of approved shade and quality.
- Laminate tiles shall be minimum 4mm thick MDF Material base or particle board of minimum 9mm thick base with lamination of approved colour.
- Glass Tiles shall be minimum 4mm thick toughened fitted in powder coated Aluminum Alloy frame (He-9-63400) along with provision of corner/ top/ bottom clips made of nylon 66.

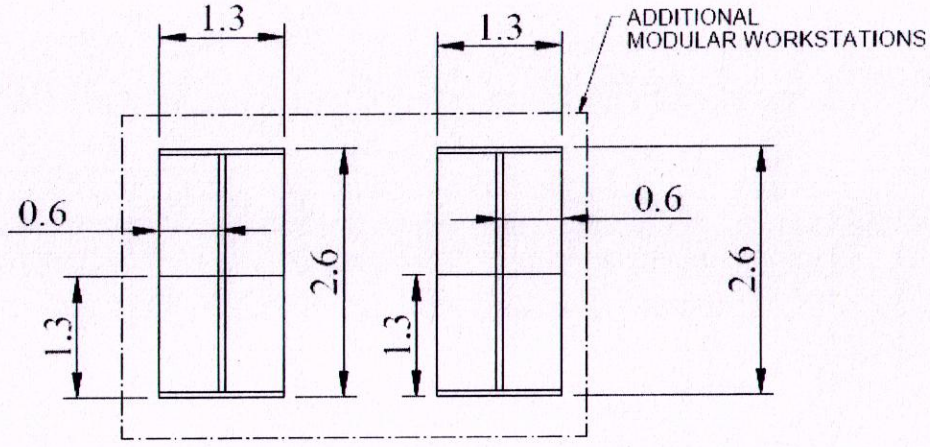
A.3) Work surface

- Standard table top height – 740mm (including table top thickness of 25mm)
- For ITEM '1', the Work surface shall be 1200 mm x 600 mm made up of 25mm thick laminated plain particle board interior grade conforming to IS: 3087-1985 (or Latest if any) with PVC lipping/edge binding 2mm thick.
- For ITEM '2', the Work surface shall be '1500 mm x 600 mm' plus '1500 mm x 600 mm' made up of 25mm thick laminated plain particle board interior grade conforming to IS: 3087-1985 (or Latest if any) with PVC lipping/edge binding 2mm thick.
- The top shall be factory-made, laminated with laminate of 1mm thickness of approved shade as per IS: 2046-1995.
- Work tops and side panel shall be attached to the panels with good quality MS brackets as per the design of the system.
- Bottom shall have a backing laminate of minimum 0.6mm thickness.
- The front edge of work surface shall be provided with machine pressed 2mm thick PVC lipping/edge binding.
- Non-working edges of the work surface shall be provided with machine pressed 0.5mm thick PVC lipping/edge binding.
- The work surface shall be provided with a circular cutout of 65~70 mm dia. as per the requirement, for the purpose of passing of wires and these cutouts shall be provided with ABS covers.
- Suitable level adjusters shall be provided at appropriate locations.

The below items are Only for ITEM '2'

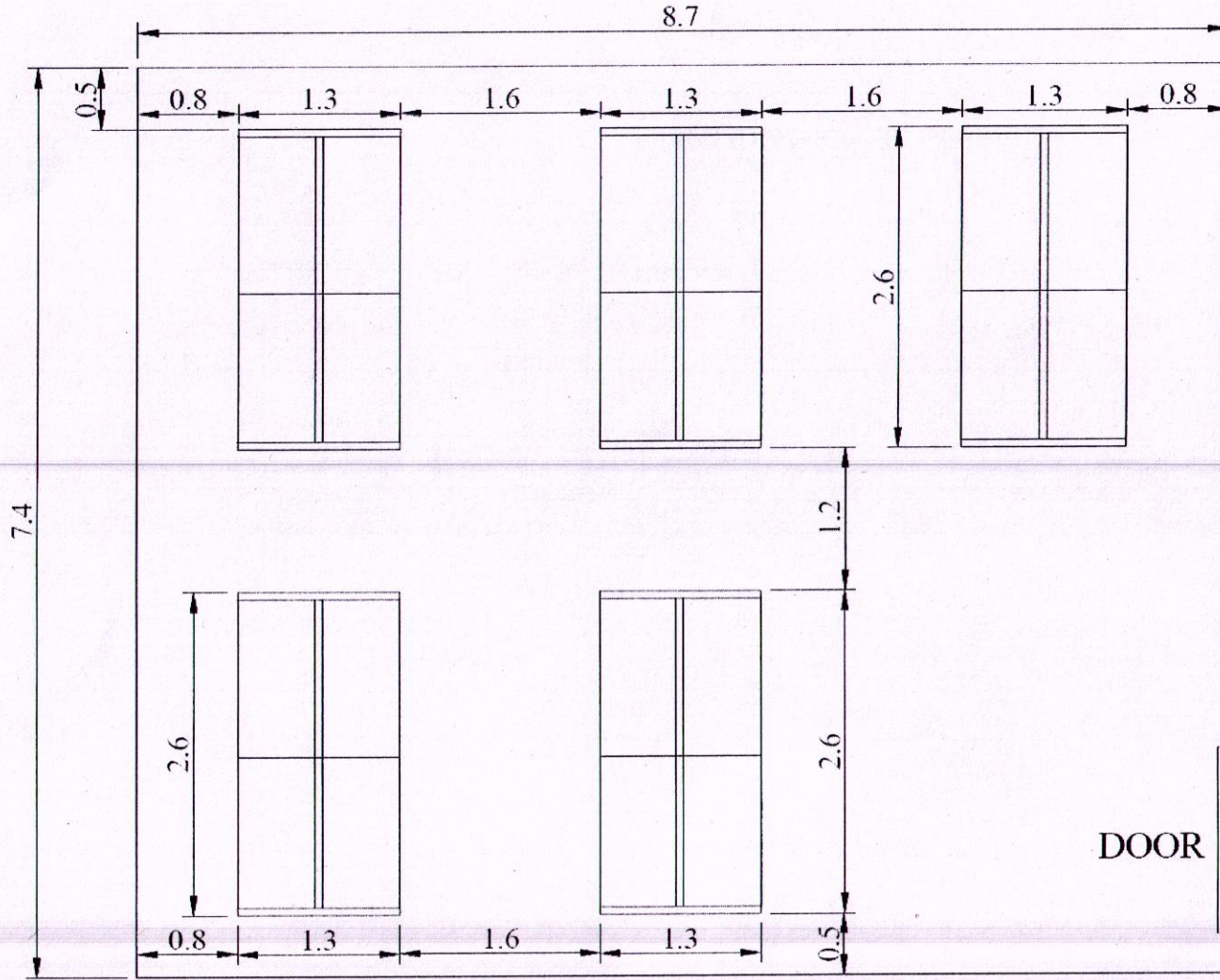
- Plastic keyboard pull-out tray made up of durable metal/ABS (Acrylonitrile Butadiene Styrene) material shall be on sliding telescopic channels.
- Adjustable wheel mounted CPU trolley made up of CRCA 'D' grade MS as per IS: 513- 1994 duly powder coated (coating thickness 50 to 60 micron).

Figure - 1 (For Item 1)



All dimensions in Meters

Figure - 2 (For Item 1)



All dimensions in Meters

ROOM NO: 126, STTD

Figure - 3 (For Item 2)

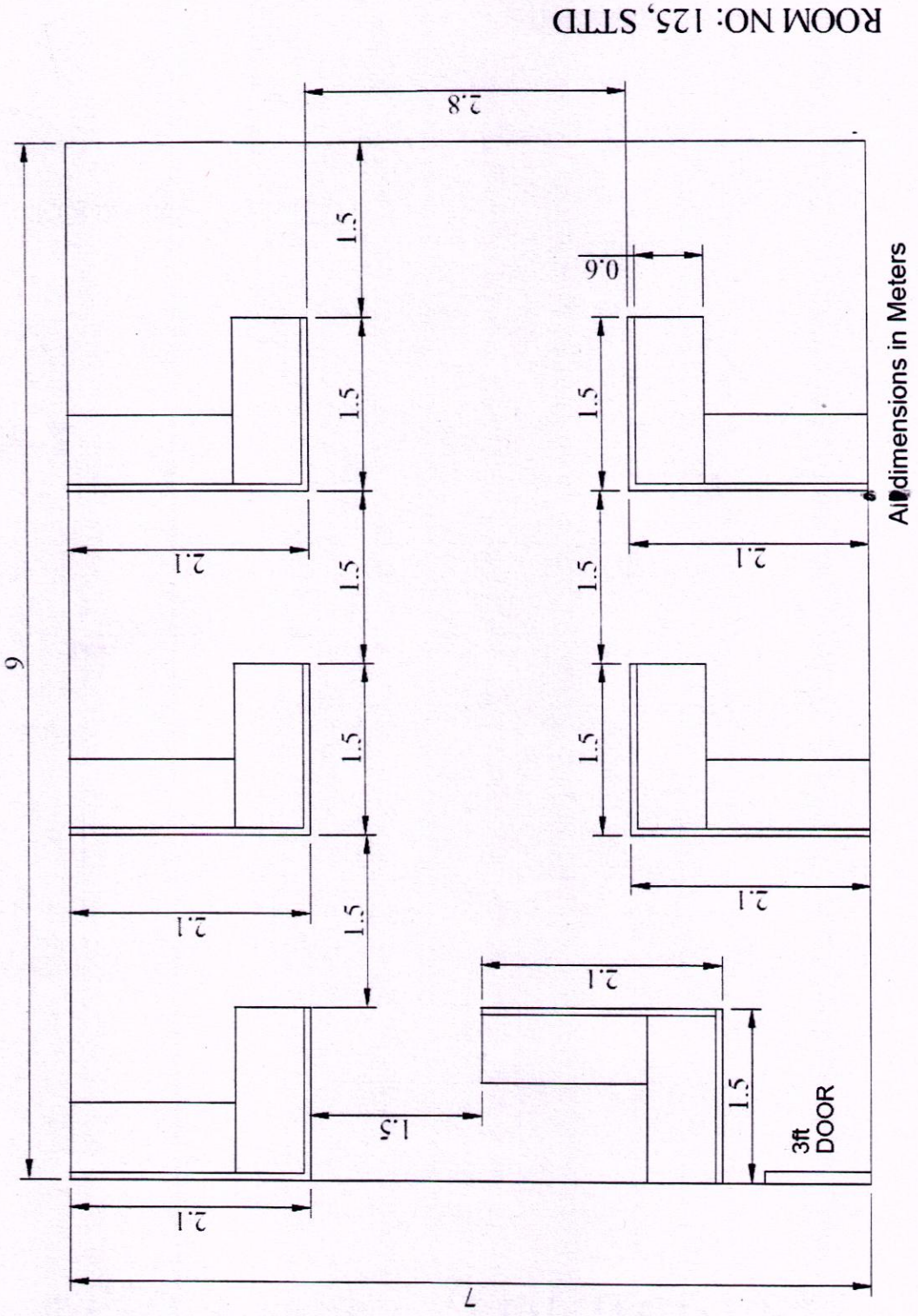
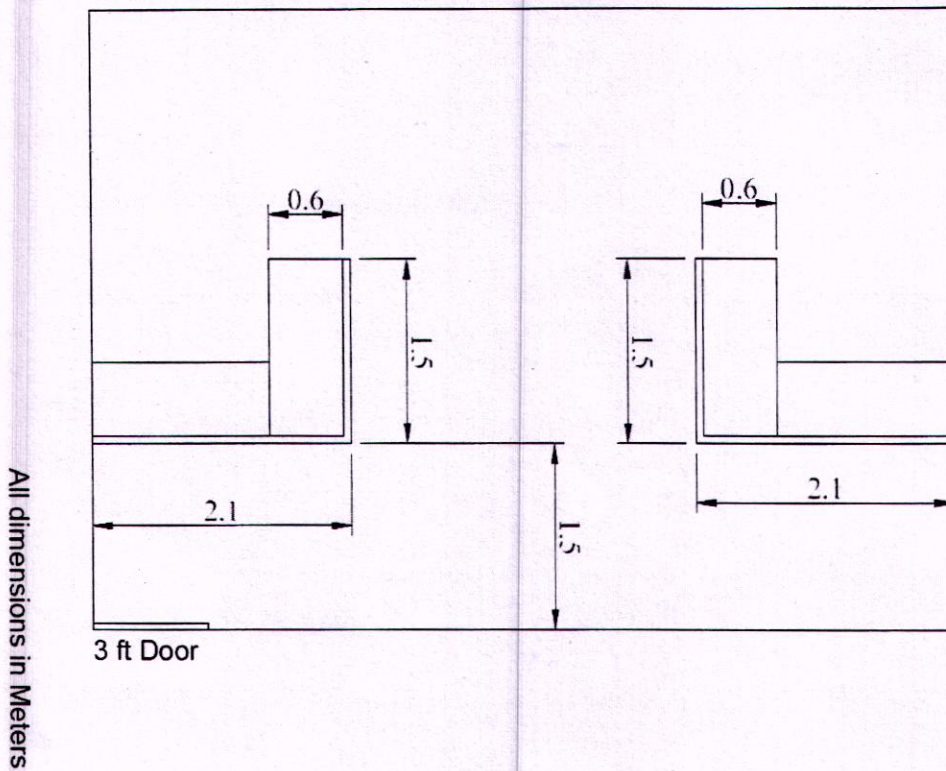
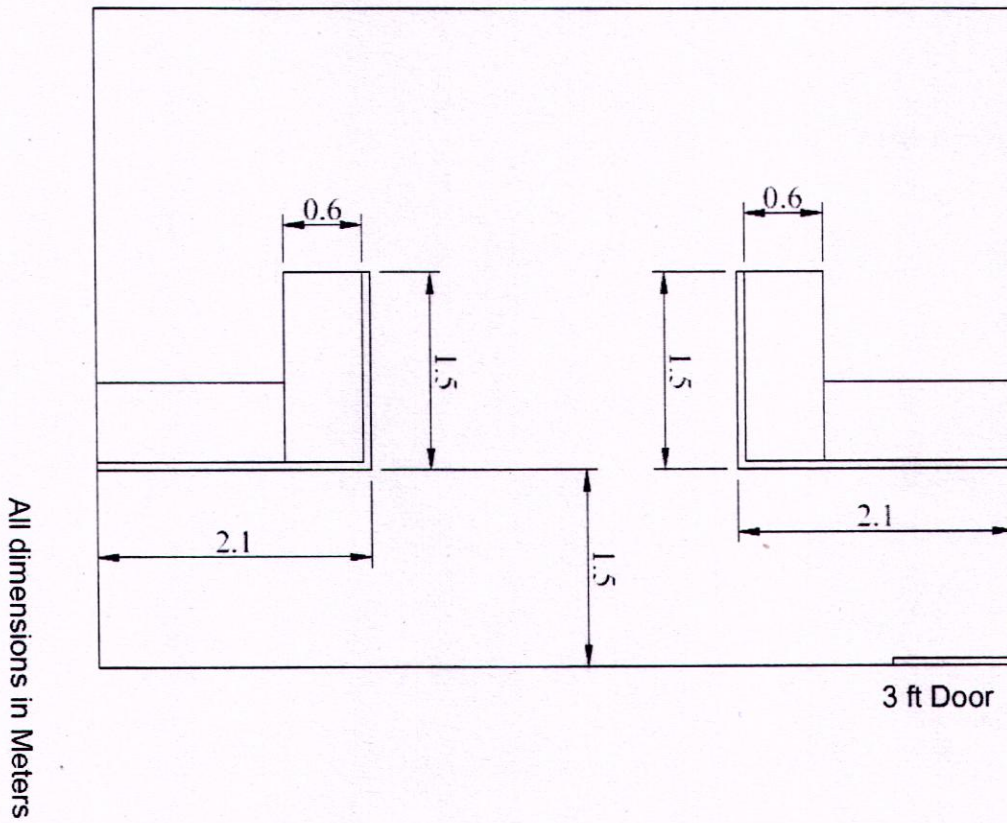


Figure – 4 (For Item 2)



ROOM NO: 127, STTD

Figure – 5 (For Item 2)



ROOM NO: 128, STTD

BID-SECURING DECLARATION FORM

Date: _____

Bid No. _____

To (insert complete name and address of the purchaser)

I/We. The undersigned, declare that:

I/We understand that, according to your conditions, bids must be supported by a Bid Securing Declaration.

I/We accept that I/We may be disqualified from bidding for any contract with you for a period of one year from the date of notification if I am /We are in a breach of any obligation under the bid conditions, because I/We

(a)	have withdrawn/modified/amended, impairs or derogates from the tender, my/our Bid during the period of bid validity specified in the form of Bid; or
(b)	having been notified of the acceptance of our Bid by the purchaser during the period of bid validity
	(i) fail or refuse to execute the contract, if required, or
	(ii) fail or refuse to furnish the Performance Security, in accordance with the Instructions to Bidders.

I/We understand this Bid Securing Declaration shall cease to be valid if I am/we are not the successful Bidder, upon the earlier of (i) the receipt of your notification of the name of the successful Bidder; or (ii) thirty days after the expiration of the validity of my/our Bid.

Signed: (insert signature of person whose name and capacity are shown)
in the capacity of (insert legal capacity of person signing the Bid Securing Declaration).

Name: (insert complete name of person signing the Bid Securing Declaration)

Duly authorized to sign the bid for an on behalf of: (insert complete name of Bidder)

Dated on _____ day of _____ (insert date of signing)

Corporate Seal (where appropriate)

Note:

1. In case of a Joint Venture, the Bid Securing Declaration must be in the name of all partners to the Joint Venture that submits the bid.
2. Bid Security declaration must be signed in by the Proprietor/CEO/MD or equivalent level of Officer of the company.